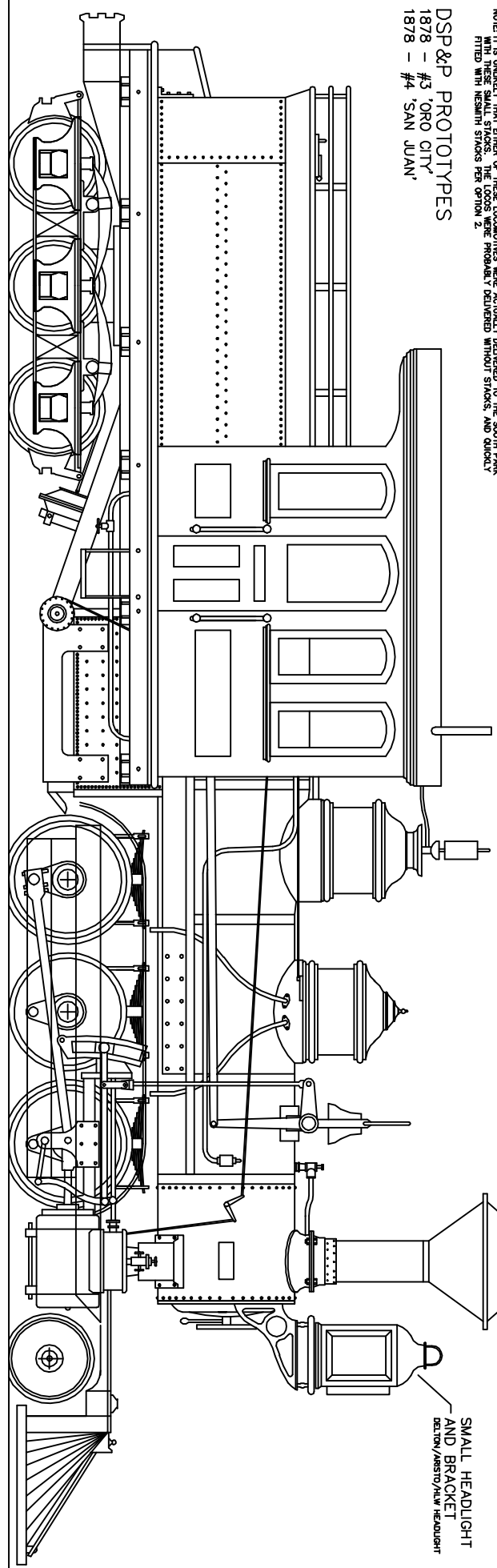


OPTION 1 - SHORT TENDER ONLY
1878 DSP&P RR 'AS BUILT' 2-6-6T MASON BOGIE

NOTE: IT IS UNLIKELY THAT EITHER OF THESE LOCOMOTIVES WERE ACTUALLY DELIVERED TO THE SOUTH PARK WITH THESE SMALL STICKS. THE LOCOMOS WERE PROBABLY DELIVERED WITHOUT STICKS, AND QUICKLY FITTED WITH REGULAR STICKS PER OPTION 2.

DSP&P PROTOTYPES
1878 - #3 'ORO CITY'
1878 - #4 'SAN JUAN'



SMALL HEADLIGHT
AND BRACKET
BELOW/ARSTO/NEW HEADLIGHT

COPYRIGHT © DAVID FLETCHER 2002
ALL RIGHTS RESERVED

COPYRIGHT © DAVID FLETCHER 2002
ALL RIGHTS RESERVED

COPYRIGHT © DAVID FLETCHER 2002
ALL RIGHTS RESERVED

