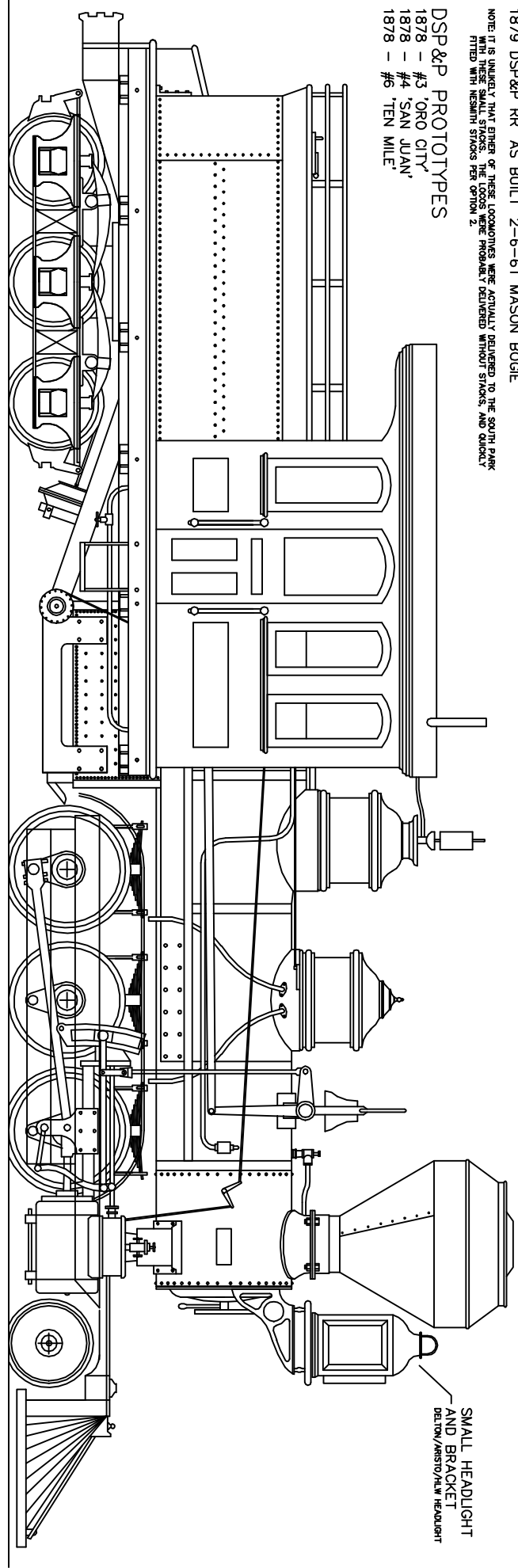


OPTION 2a - SHORT TENDER  
 1879 DSP&P RR 'AS BUILT' 2-6-6T MASON BOGIE

NOTE: IT IS UNLIKELY THAT EITHER OF THESE LOCOMOTIVES WERE ACTUALLY DELIVERED TO THE SOUTH PARK  
 WITH THESE SMALL STACKS. THE STACKS WERE PROBABLY DELIVERED WITHOUT STACKS, AND QUICKLY  
 FITTED WITH MEDIUM STACKS PER OPTION 2.

DSP&P PROTOTYPES  
 1878 - #3 'ORO CITY'  
 1878 - #4 'SAN JUAN'  
 1878 - #6 'TEN MILE'



SMALL HEADLIGHT  
 AND BRACKET  
 AND DELTOW/MISTO/PLW HEADLIGHT

COPYRIGHT © DAVID FLETCHER 2002  
 ALL RIGHTS RESERVED

COPYRIGHT © DAVID FLETCHER 2002  
 ALL RIGHTS RESERVED

COPYRIGHT © DAVID FLETCHER 2002  
 ALL RIGHTS RESERVED

