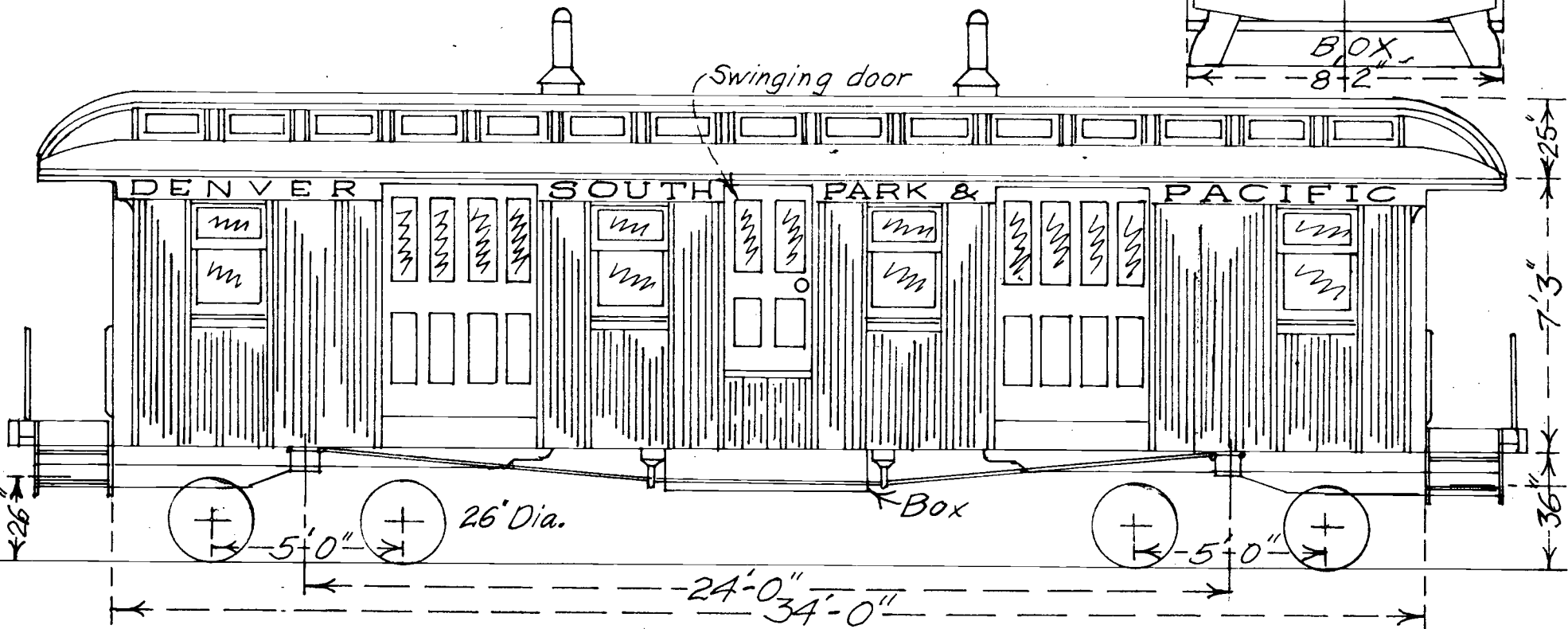
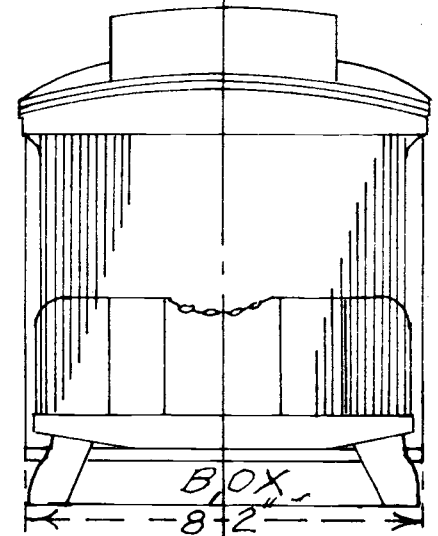


Scale $\frac{1}{4}'' = 1'$

DENVER SOUTH PARK & PACIFIC MAIL, BAGGAGE, EXPRESS CAR

DSP&P Original Nos. 1 to 5
 DSP&P (U.P.) Oct. 1885 Nos. 1000-2 Baggage-Express
 DL&G (U.P.) 1889 Nos. 1000-2 Baggage-Express
 DL&G (After 1893) Nos. 1000-2 Baggage-Express
 C&S (After 1898) Nos. 102-4 Baggage (1001 Dest.-1902)
 C&S (After 1906) Nos. 1 & 2 Baggage
 DSP&P color Chocolate Brown; Gold lettering



Drawn from photo of car
on Arkansas River bridge

Revised
1/21/17
 BABY GRANDE WESTERN
 BALSAM SHOPS
 DRAWN: J.W.M. No DSP-2
 Wheat Ridge, Colo. 11-11-19